



SuperCopier[®]/SuperWiper[®]/SuperImager[®] Unit

How to Connect IDE to SATA Adapter and 2.5" Adapter into the Unit's SAS/SATA Ports:

- 2.5" 44pin IDE hard drive
- 3.5" 40pin IDE hard drive

Figure 1: 22 Pin SATA Data-Power Splitter cable

The 22 Pin SATA (Male) data-power cable splitter splits the power and data into 7 Pin SATA Female Data cable and 15 Pin SATA Female Power cable.

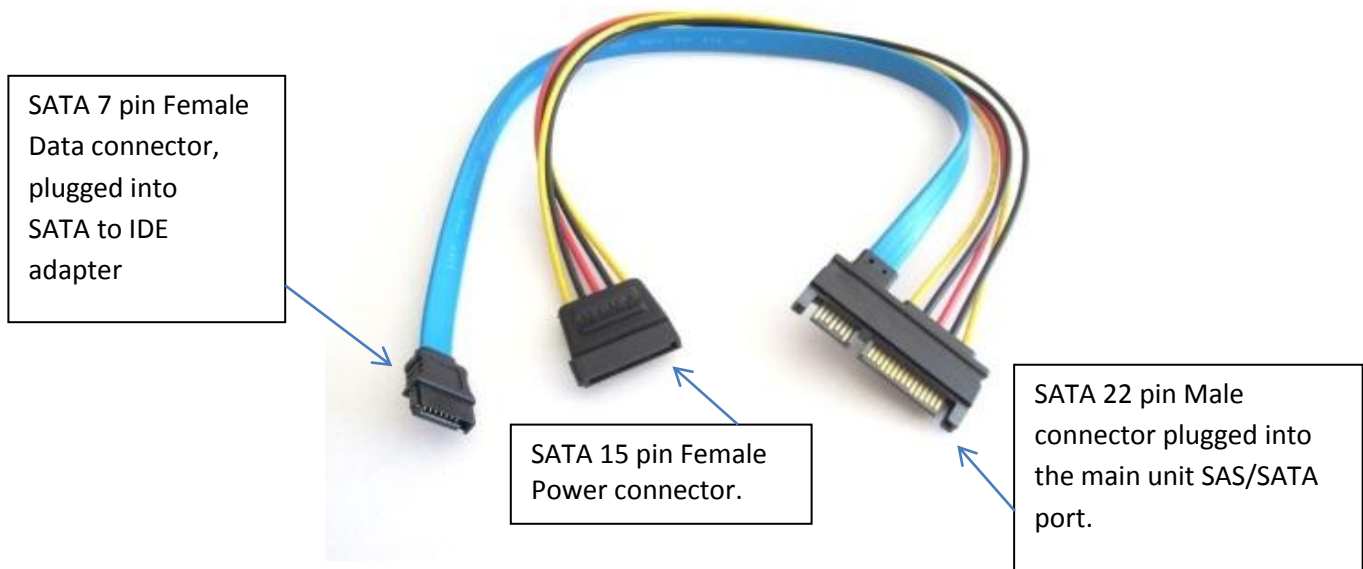


Figure 2: IDE- SATA Adapter

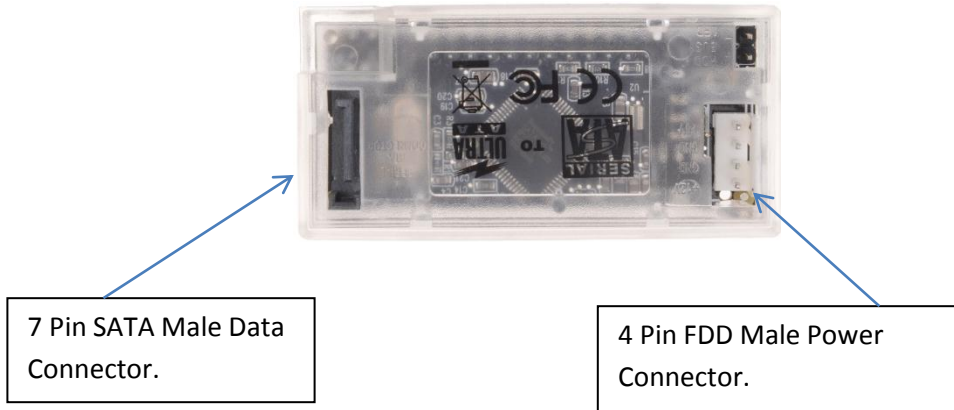
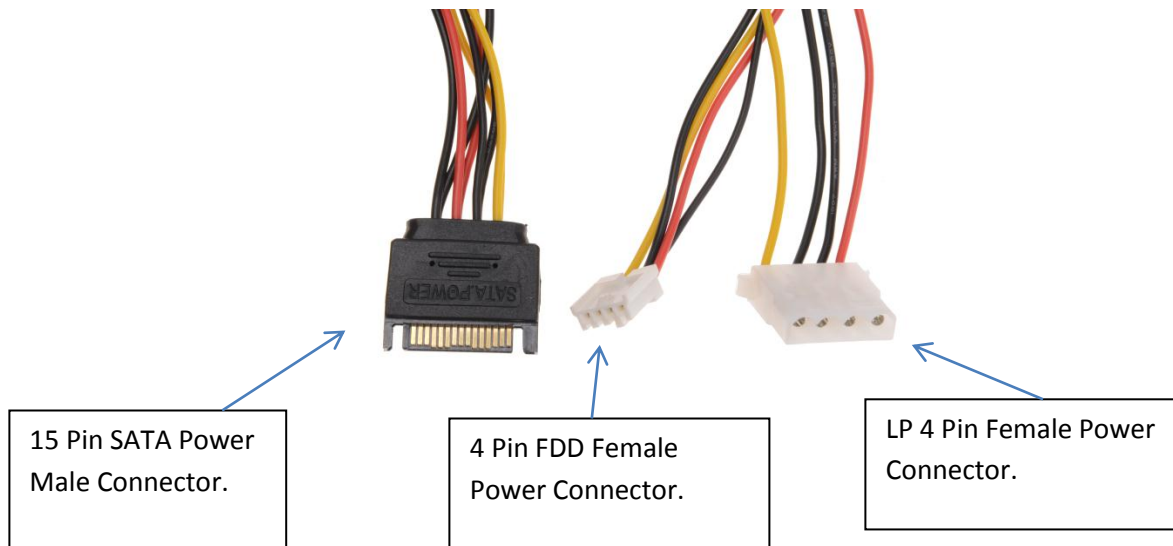
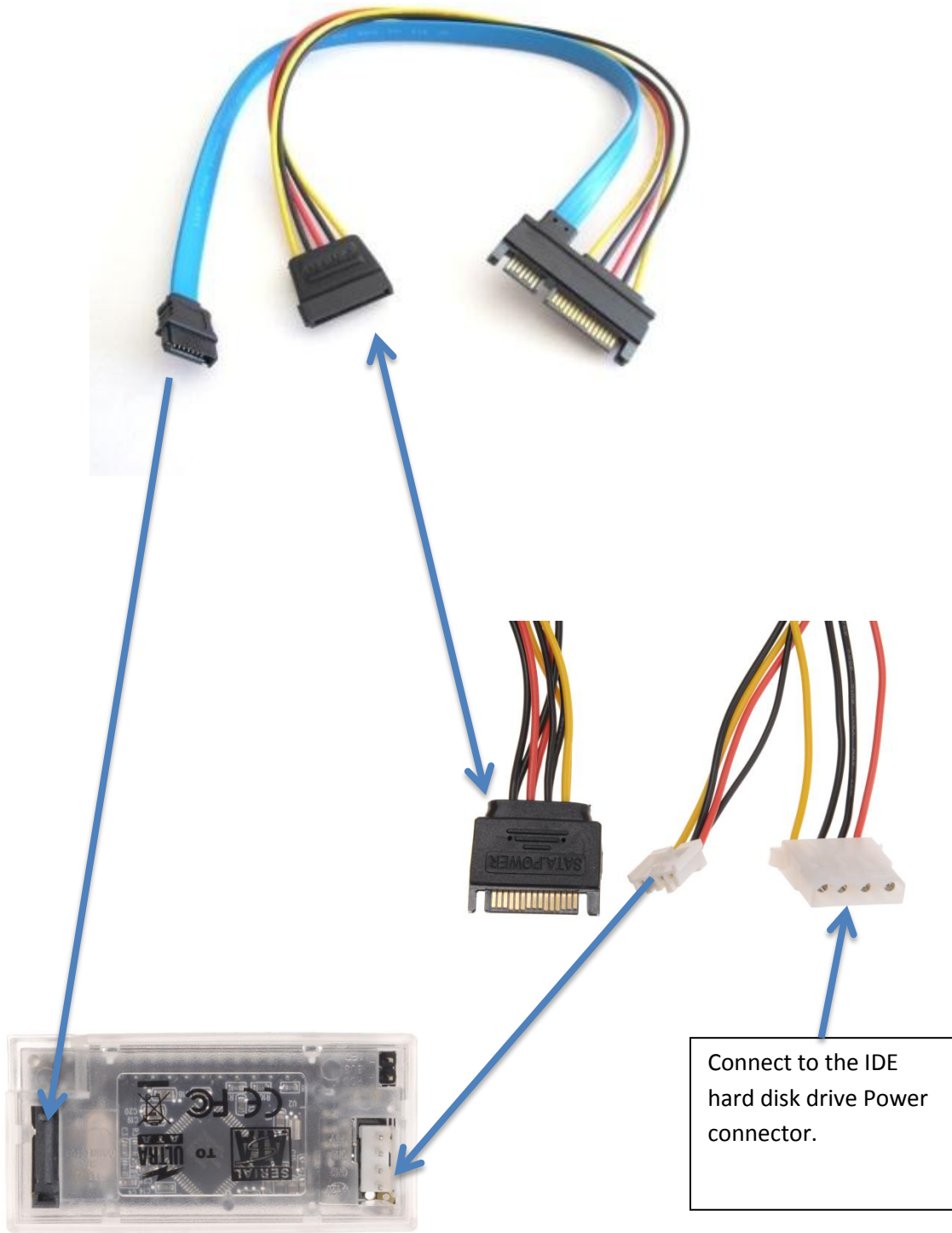


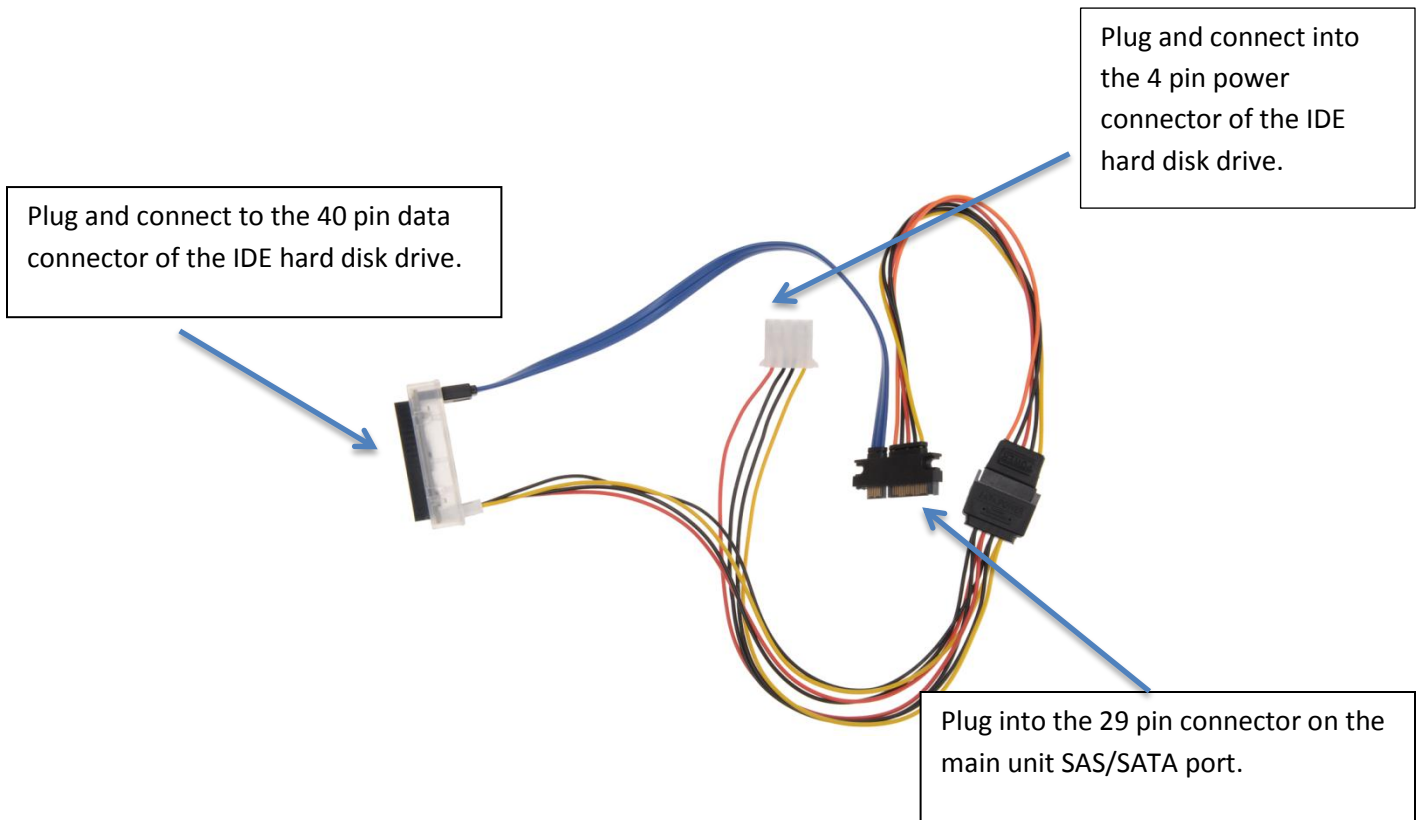
Figure 3: 15 Pin Power Split Cable



1. Use a 22 Pin SATA (Male) cable splitter (Figure 1).

2. Plug the 22 Pin Male side of that cable into any of the SAS/SATA port on the main unit.
3. Plug and connect the 7 Pin SATA Female Data connector into the SATA-IDE adapter (Figure 2).
4. Connect the 15 Pin Male SATA Power Connector (of the Power Splitter cable, Figure 3) into the 15 Pin Female Power Connector (of the 22 pin split cable) (Figure 1).
5. Connect the 4 Pin Female (small white FDD) connector of the power splitter cable (Figure 3) into the SATA-IDE Adapter (Figure 2) (be careful with the orientation of the FDD connector).



Complete View:

2.5" IDE HDD Solution

- Use the 2.5" supplied adapter together with a 2 Pin power cable.
- Connect the 4 Pin Molex Male power connector (It is the last connector on the 2 Pin power cable) into the 4 Pin Female connector of the IDE solution. (4 pin male connector, as shown in the IDE solution, is generally used to supply power to IDE hard drives. For a 2.5" hard drive, the power is supplied via those 2 pins.)
- Connect the 2 Pin wire power cable Female cable to the 2.5" Adapter (see picture below).
- Bend the 2 Pins wire so the 2.5" adapter will easily plug into the SATA-IDE adapter.
- Plug the 44 Pin header of the 2.5" adapter into the SATA to IDE adapter.
- (Do not use any force to plug the 44 Pin headers into the SATA –IDE adapter and be sure to pay attention to the adapter's orientation.)

